

Structure of variopumps gear pumps

The modular design of variopumps gear pumps allows a wide range of types and materials. Therefore all pumps in every size can be optimized for the specific duty in short time - even in the future if operating conditions will be modified.

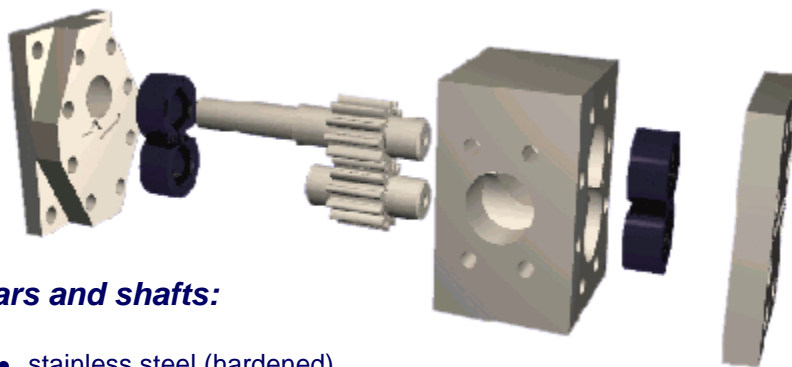
On the other hand custom designs are possible with moderate costs.

Housing:

- stainless steel
- cast iron
- carbon steel
- Titanium
- Hastelloy
- special materials

Bearings:

- carbon
- bronze
- silicon carbide
- zirconium oxide
- nickel-silver (NiAg)
- hard coatings
- composites
- special materials



Gears and shafts:

- stainless steel (hardened)
- duplex steel
- Hastelloy
- hard material coatings (diamant like carbon, TiCN,...)
- special materials